

Hybrid Load Switch

L740

Smart Metering and Load Management in a Single Device



The Application

Operation within Smart Metering and Ripple Control Systems
Reception of PLC and Ripple Control Commands

Functionality

Well-known and proven functionality of ripple control
Each device may be parameterised remotely
Status control: tamper detection, power failure and open-circuit load
Real-time load control (< 10s)

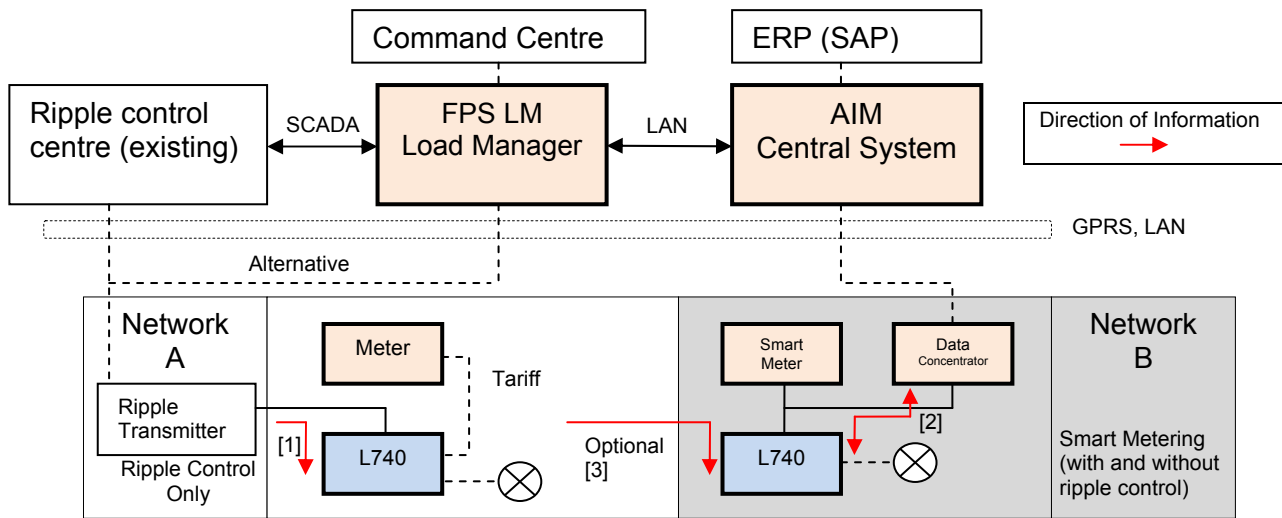
Flexible and Unique

L740 is used as ripple control receiver and load switch device
Full functionality available as soon as 2-way PLC is within reach
No more expensive and complicated exchange and local programming



3rd Generation Load Management

The L740 supports all ripple control protocols and is upwards compatible to the Landis+Gyr Smart Metering infrastructure. In combination with the 2-way power line communication (PLAN Standard), new and powerful functions are available. Intelligent status information simplifies customer service and the procurement of energy can be optimised with dynamic load control.



L740 Functionality

Tariff and Load Control, max. 3 Relays (25A or 40A)
Automatic Control in case of communication failures
Time lines, Loops, Backup clock, Low frequency load shedding, Interpreter programmes and Learning functions
Dynamic Load Management: 15-minute load control applications
Direct commands with fast reaction (< 10s). Event controlled public lighting. Street light control via Text (SMS)
Dynamics ^{3G} : Ripple control standards such as Decabit, Semagyr, Ricontic, Pulsadis, K22 and others
Dynamics ^{3G} : 2-way Power Line Technology and DLMS standard
Software download
Individual remote parameterisation of the devices
Status feedback: power failure, open-circuit load, tamper detection

Applications		
[1]	[2]	[3]
<input type="checkbox"/>	<input type="checkbox"/>	<input type="checkbox"/>
<input type="checkbox"/>	<input type="checkbox"/>	<input type="checkbox"/>
<input type="checkbox"/>	<input type="checkbox"/>	<input type="checkbox"/>
<input type="checkbox"/>	<input type="checkbox"/>	<input type="checkbox"/>
<input type="checkbox"/>	<input type="checkbox"/>	<input type="checkbox"/>
<input type="checkbox"/>	<input type="checkbox"/>	<input type="checkbox"/>
<input type="checkbox"/>	<input type="checkbox"/>	<input type="checkbox"/>
<input type="checkbox"/>	<input type="checkbox"/>	<input type="checkbox"/>
<input type="checkbox"/>	<input type="checkbox"/>	<input type="checkbox"/>
<input type="checkbox"/>	<input type="checkbox"/>	<input type="checkbox"/>

[1] Ripple Control System

[2] Smart Metering System

[3] Combination of both

Copyright © Landis+Gyr AG 2010. All rights reserved. Subject to change without notice. Dynamics^{3G} is registered trade mark of Landis+Gyr AG.

Landis+Gyr AG
 Business Line Load Management
 Udermüllistrasse 28
 8320 Fehrltorf
 Switzerland
 Phone: +41 44 954 81 11
 Hotline 24/7: +41 840 999 444
 www.landisgyr.eu

Landis+Gyr
 manage energy better